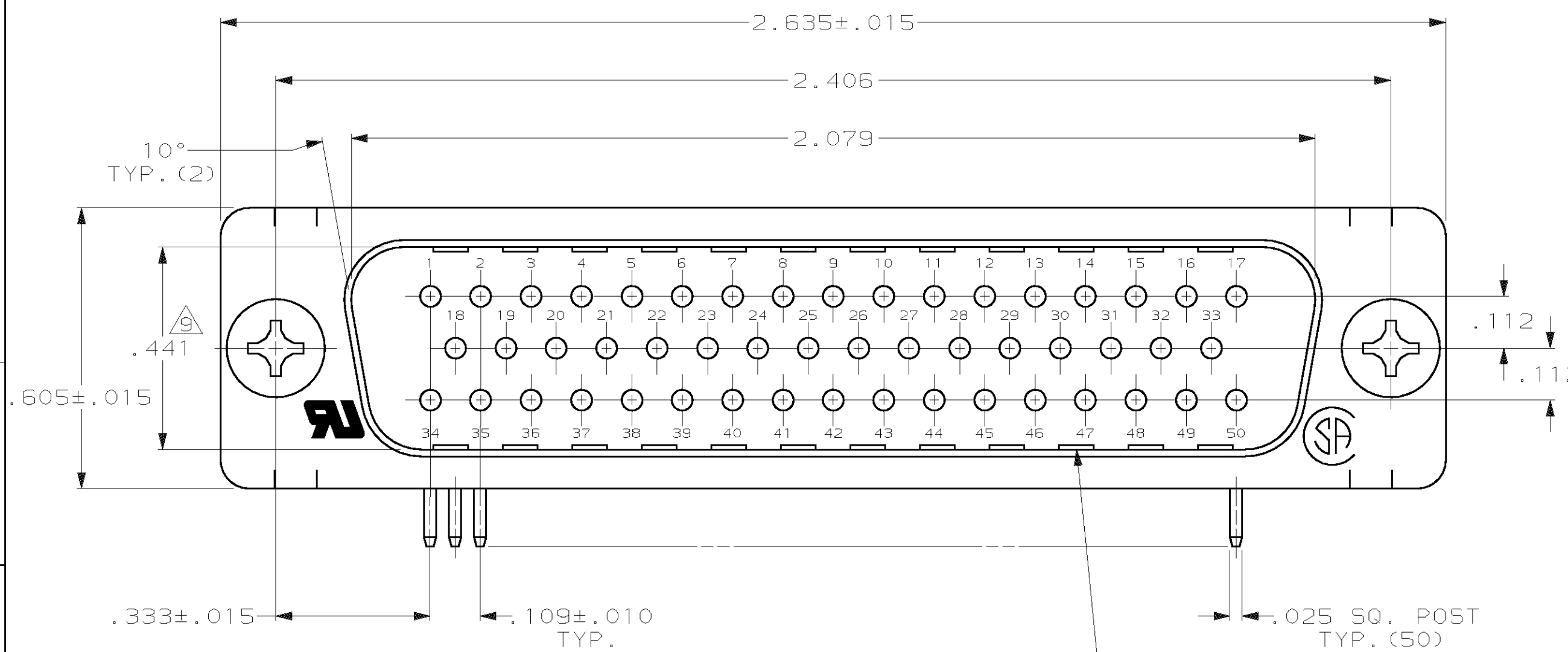
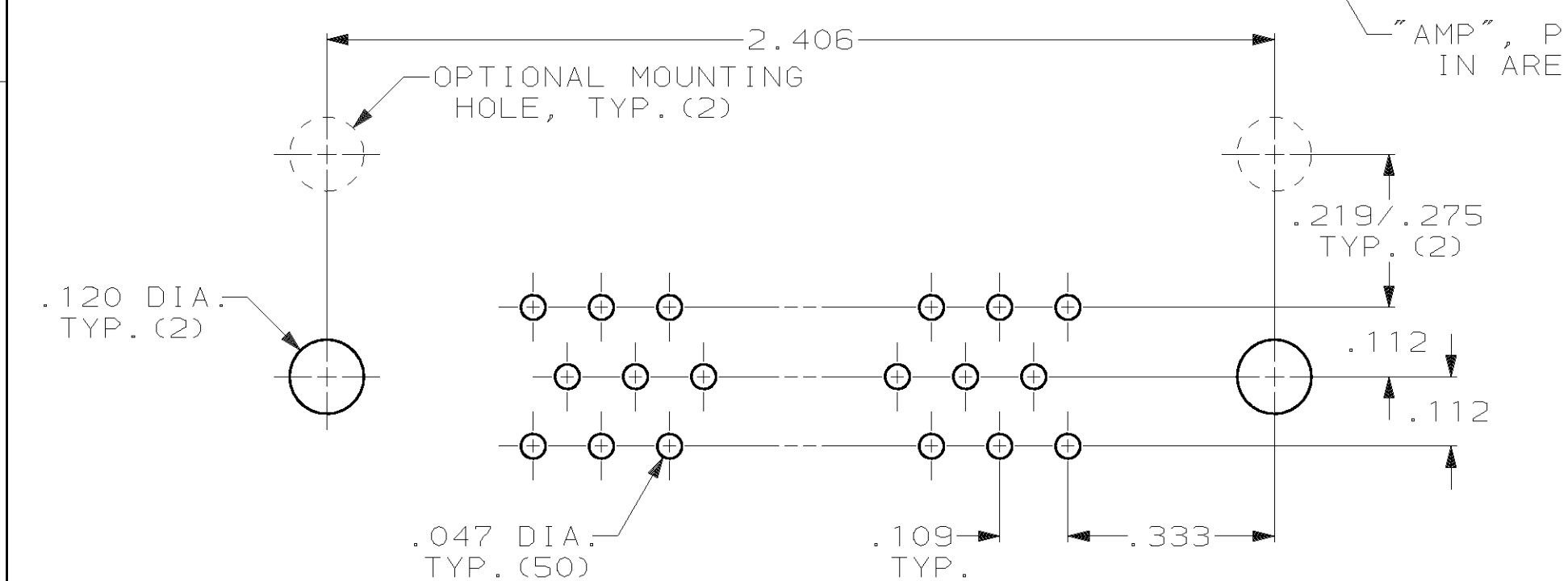
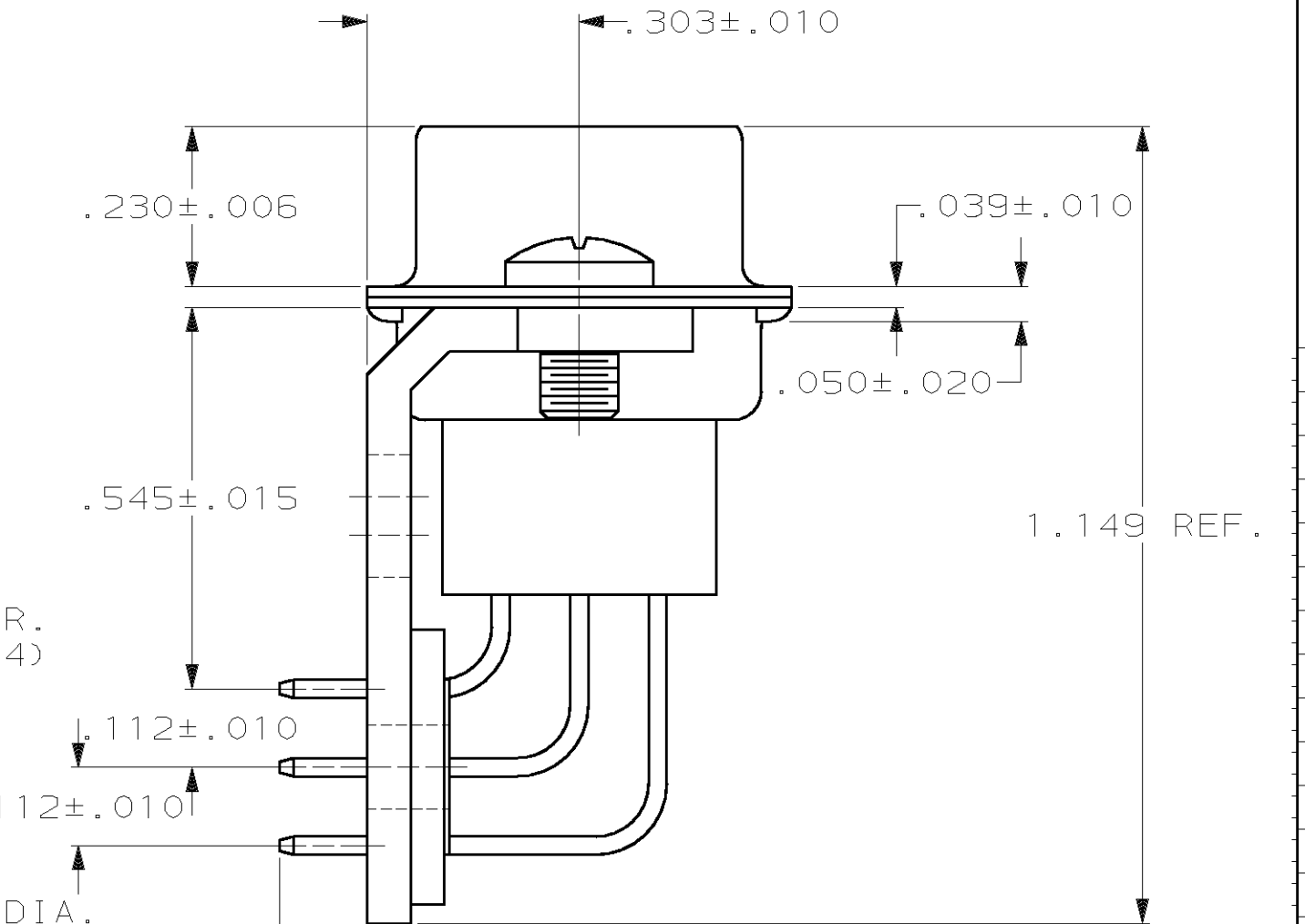
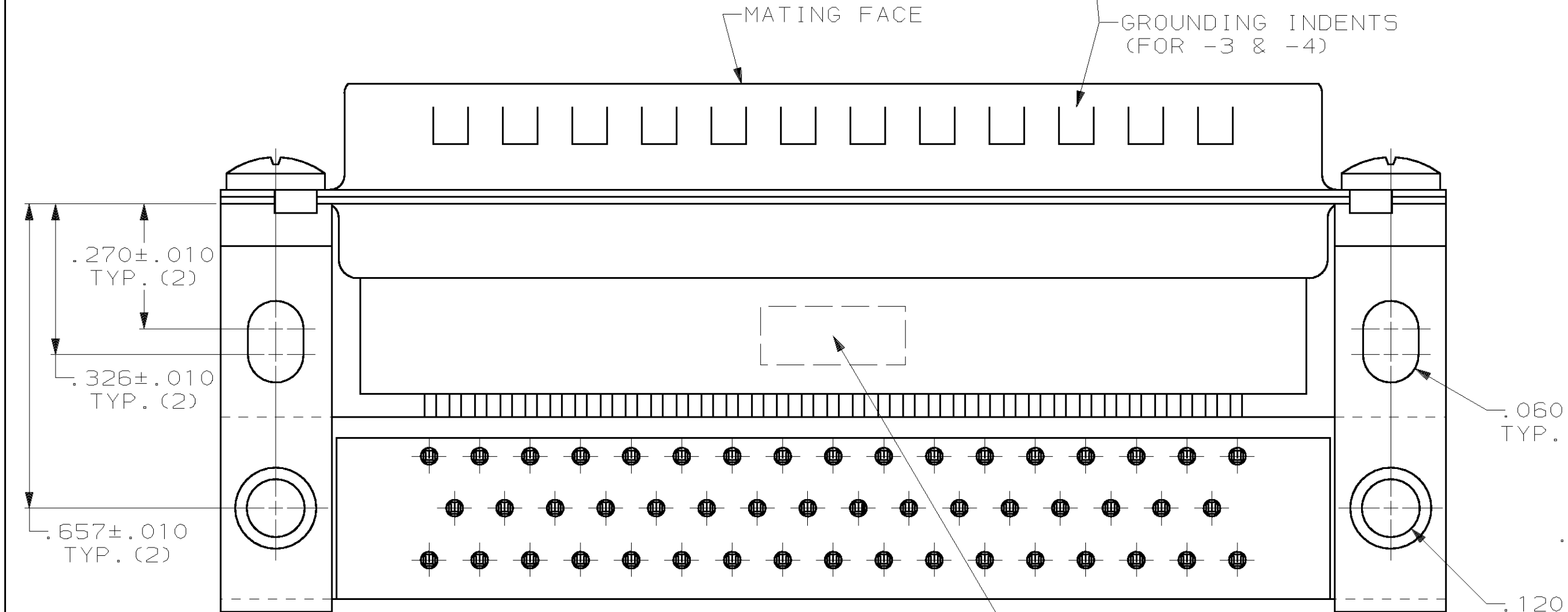


LOC		DIST		ZONE		LTR		REVISIONS		
BD	77	P	F					DESCRIPTION	DATE	APPD
						J		SUPERSEDED -3 PER EC 0020-587-96	27 FEB 97	RT
						K		REV PER EC 0640-429-98	11 MAR 99	RT



- CONNECTOR MATES WITH ANY 50 POS. RECEPTACLE IN AMPLIMITE SERIES & COMPLIES WITH AMP SPEC. 108-40,005 WHERE APPLICABLE.
- FLAME RETARDANT 94V-0 RATED THERMOPLASTIC; COLOR: BLACK.
- STEEL PER ASTM A109.
- BRASS PER MIL-C-50.
- TIN PLATING PER MIL-T-10727, GOLD PLATING PER MIL-G-45204, NICKEL PLATING PER QQ-N-290.
- TIN PLATED.
- GOLD FLASH FOR A LENGTH OF .150 MIN FROM MATING END, .000100 MIN TIN-LEAD ON OPPOSITE END, BOTH OVER .000050 MIN NICKEL.
- GOLD PLATED FOR LENGTH OF .150 MIN FROM MATING END, .000030 MIN GOLD IN MATED AREA, .000100 MIN TIN-LEAD ON OPPOSITE END, BOTH OVER .000050 MIN NICKEL.
- THIS DIMENSION IS .436 FOR -3 & -4.



"AMP", PART NO. & DATE CODE, MARKED IN AREA INDICATED, ON FAR SIDE

CONTACT FINISH	PART NO
8	745355-4
7	745355-3
8	745355-2
7	745355-1

DO NOT SCALE PRINT. UNLESS SPECIFIED DIMENSIONS IN INCHES TOLERANCES ON: 2 PLC DEC ± .005 3 PLC DEC ± .005 ANGLES ± 2°	DR 12-22-83 J.GERACE CHK 12-22-83 J.GERACE APPD 03-15-84 P.SWEIGARD APPD 03-15-84 J.ASSINI PRODUCT SPEC APPLICATION SPEC	AMP Incorporated Harrisburg, PA 17105-3608	
MATERIAL MOLDED PARTS: 2 SHELLS & BRACKETS: 3 CONTACTS: 4	FINISH SHELLS & BRACKETS: 6 CONTACTS: SEE TABLE	NAME PLUG ASSEMBLY, SIZE 5, 50 POSN, RIGHT ANGLE, .545 SERIES, .025 SQ. POSTS, AMPLIMITE™ HDP	
WEIGHT -	SCALE -	SIZE C CAGE CODE 00779	DRAWING NO C=745355
		SHEET	1 OF 1